

REV	DCO'S AFFECTING THIS DRAWING	DATE	APPROVED
A	INITIAL RELEASE	5/26/94	G.P.
G	DCO # 4432 CHANGED SPECS	04/01/13	LL

- Output:
12.2 TO 18.1 mV in 20.95% oxygen in a temperature range of 23±2 °C at 1013 millibars.
- Operating Temperature:
5° to 40 °C
- Maximum Storage Temperature:
-15° to 50 °C
- Optimal Storage Temperature:
5° to 25 °C
- Range of Measurement (Full Scale):
0 to 100% oxygen
- Zero Offset:
Less than or equal to 0.50 mV when exposed to 99.9 to 100% nitrogen.
- 90% Response Time:
Less than or equal to 15 seconds at 23±2 °C
- Linearity:
Within +/-1.0% of full scale

- Stability:
Less than 1% of full scale over an 8 hour period at constant temperature, pressure, and humidity.
- Interference:
Less than 2% of full scale in presence of 75% Nitrous oxide
Less than 2% of full scale in presence of 5% Halothane
Less than 2% of full scale in presence of 5% Isoflurane
Less than 2% of full scale in presence of 5% Enflurane
Less than 2% of full scale in presence of 6% Sevoflurane
Less than 2% of full scale in presence of 15% Desflurane
Less than 2% of full scale in presence of 10% Carbon Dioxide
Less than 2% of full scale in presence of 70% Helium
- Temperature Effects:
Activation energy (Ea) of 6000±1500 cal/mol-°K where

$$\frac{\text{Output}_{T_2}}{\text{Output}_{T_1}} = \exp \left[\frac{E_a}{1.987 \text{ cal/mol-}^\circ\text{K}} \left(\frac{T_2 - T_1}{T_2 T_1} \right) \right]$$
- Expected Life
> 2,000,000% oxygen hours under normal operating conditions
- Humidity
5% to 95% Relative Humidity non-condensing

UNLESS OTHERWISE SPECIFIED
DIMENSIONS ARE IN INCHES
AND PER ANSI Y14.5-1982

.XX = ±.01
.XXX = ±.005
.XXXX = ±.002

ANGLES
±1'30"

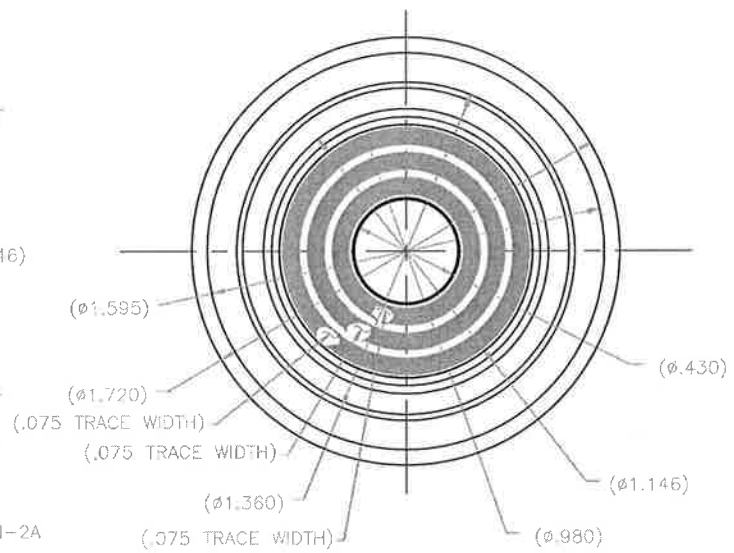
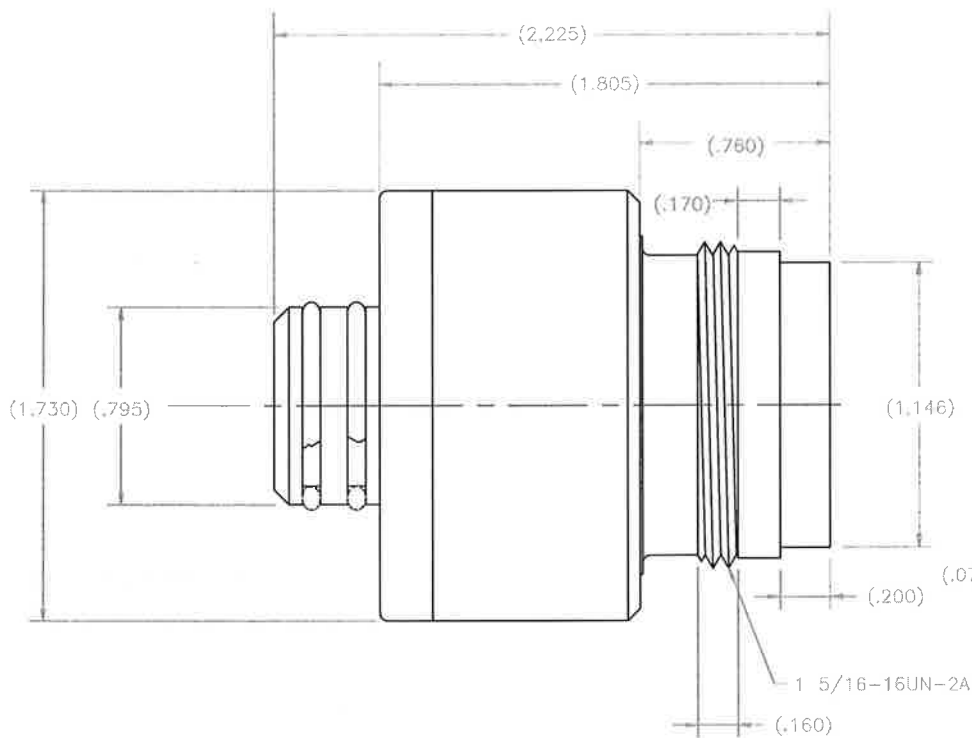
QA	G. ROTH	03/27/13	PREP MILES D SMITH	12/21/93
MFG	EVA MEADS	3/12/13	CHKR G. POELAKKER	5/26/94
			ENG T. MARSHALL	02/12/13

SIZE	FSCM NO.	NUMBER	REV
B	1S815	R107P80	G
SCALE	NONE	SHEET 1 OF 2	

mactec®
SALT LAKE CITY, UTAH 84107

SPECIFICATIONS,
MAX-2 OXYGEN SENSOR

PROPRIETARY INFORMATION
MAY BE



SIZE B	FSCM NO. 1S815	NUMBER R107P80	REV C
SCALE NGNE	SHEET 2 OF 2		PROPRIETARY INFORMATION MAXED

R107P80 C