

ALL SPECIFICATIONS APPLY AT 1013 MILLIBAR, 25 ° C, DRY AMBIENT AIR

REV.	DCO'S AFFECTING THIS DRAWING	DATE	APPROVED
A	INITIAL REL.# XXXX		

1. Output
8.0mV to 12.0mV, dry ambient air

2. Operating Temperature
0 °C to 45 °C

3. Maximum Storage Temperature
-20 °C to 50 °C
(Recommended: 5 °C to 30 °C)

4. Electrical Connector
3.5mm mono jack

5. Range of Measurement (Full Scale)
0 to 100% Oxygen

6. Zero Offset
Less than or equal to .2mV when exposed to
100% Nitrogen, applied for 5 minutes

7. 90% Response Time
Less than or equal to 12 seconds
@ flow range of .2 to 2.0 L/min

8. Linearity
Within $\pm 2.0\%$ of full scale applied for 5 minutes

9. Stability
Less than 1% of full scale over an 8 hour
period at constant temperature, pressure,
and humidity.
(between 20% - 100% Oxygen)

10. Interference
Less than 0.3% of full scale in presence of 10% Carbon Dioxide
Less than 0.3% of full scale in presence of 80% Nitrous Oxide
Less than 0.3% of full scale in presence of 7.5% Halothane
Less than 0.3% of full scale in presence of 7.5% Isoflurane
Less than 0.3% of full scale in presence of 7.5% Enflurane
Less than 0.3% of full scale in presence of 7.5% Sevoflurane
Less than 0.3% of full scale in presence of 20% Desflurane

11. Temperature Compensation
NTC
Greater than 1,000,000 Oxygen hours under
normal operating conditions

12. Expected Life
Less than 6 years @ ambient air

13. Humidity
5% to 95% Relative Humidity non-condensing

14. Warm-up Time
Less than 30 minutes, after replacement sensor

UNLESS OTHERWISE SPECIFIED
DIMENSIONS ARE IN INCHES
AND PER ANSI Y14.5-1982

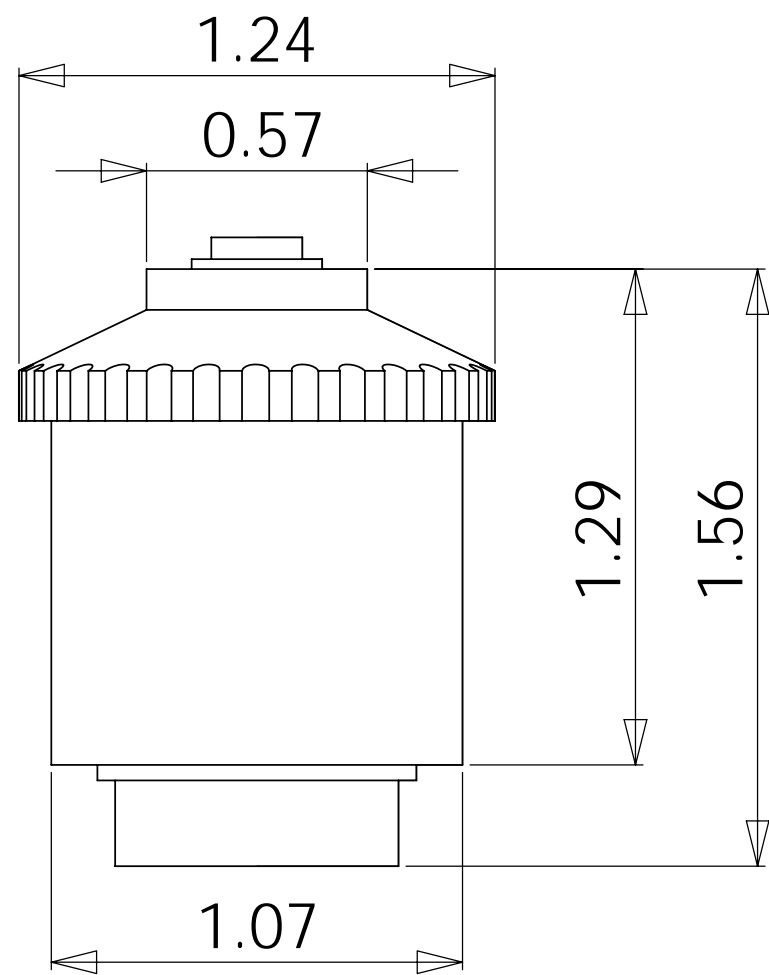
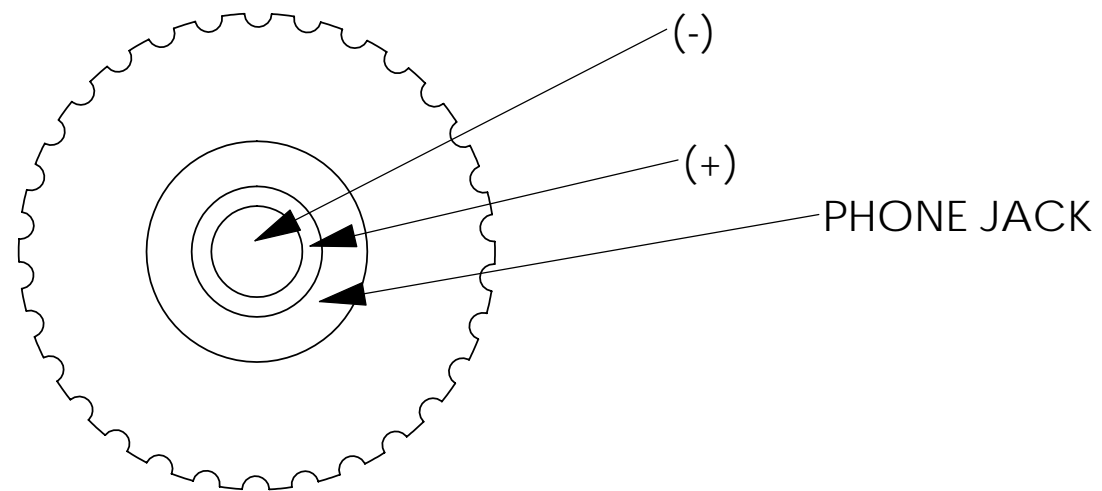
.XX = ± 0.1
.XXX = ± 0.05
.XXXX = ± 0.02

ANGLES
 $\pm 1^{\circ}30'$

Q.A.		PREP Adrienne Whittle	10/19/2005
MFG		CHECKED	
		ENG	

maxtec [®] SALT LAKE CITY, UTAH 84107		
SPECIFICATIONS, MAX-7 OXYGEN SENSOR		
SIZE B	DWG. NO. R109P10	REV A
SCALE: 1:2	WEIGHT:	SHEET 1 OF 2

R109P10 A



ALL UNITS ARE IN INCHES

SIZE B	DWG. NO. R109P10	REV A
SCALE: 1:2	WEIGHT:	SHEET 2 OF 2

R109P10 A