

ALL PRODUCT SPECIFICATIONS ARE APPLICABLE AT STANDARD CONDITIONS:
1013 MILLIBAR, 25°C DRY AIR.

REV	DCO'S AFFECTING THIS DRAWING	DATE	APPROVED
A	INITIAL REL. DCO # 2692	2/14/07	<i>[Signature]</i>

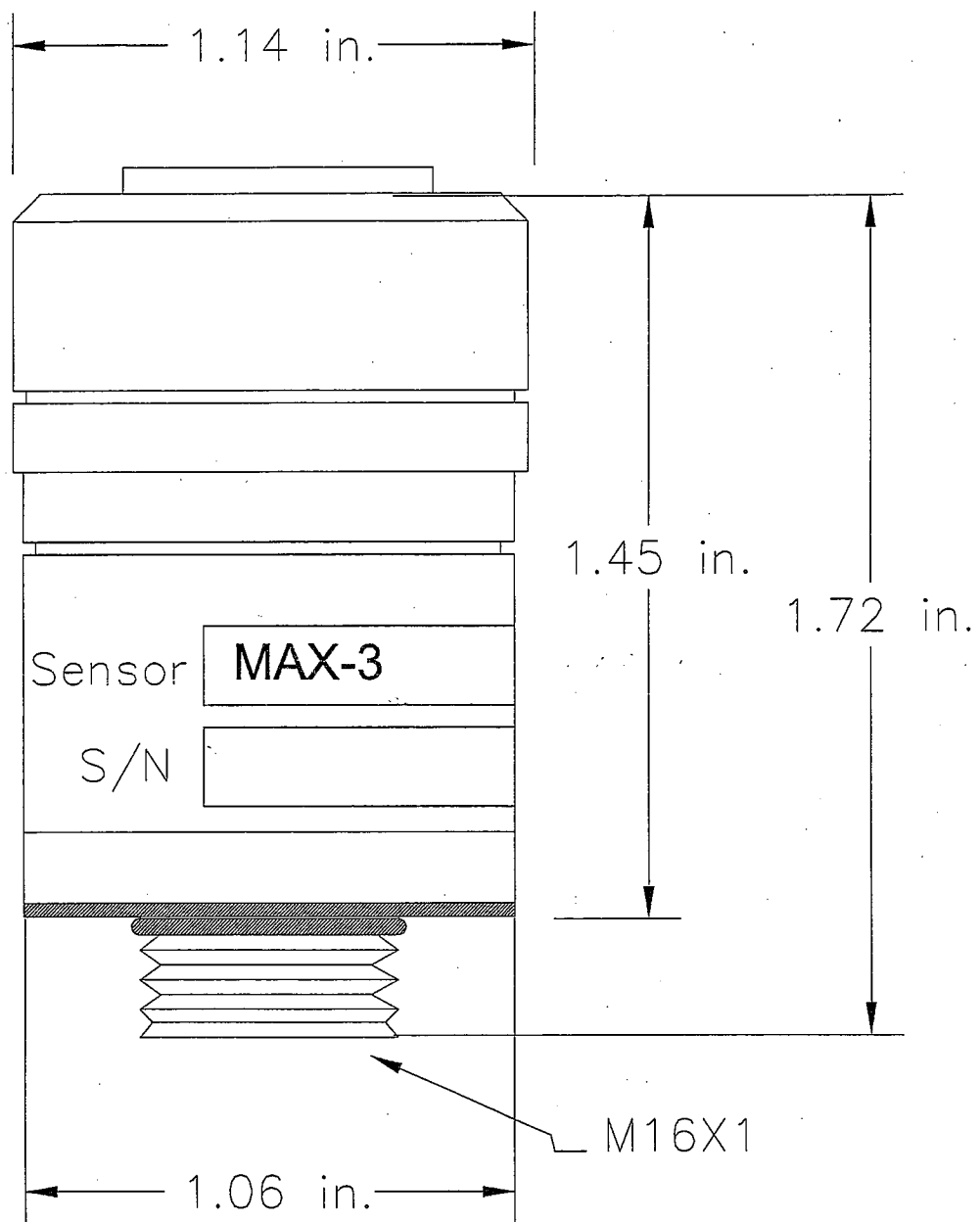
1. Output:
9 to 13 mv @ dry ambient air
2. Operation:
 1. Temperature: 0 to 40° C
 2. Ambient pressure: 750 to 1250 millibar
 3. Relative Humidity: Up to 100% Rh
(Condensing atmosphere over several hours)
3. Storage Temperature Range:
-20 to 50° C
5 to 30° C Recommended
4. Range of Measurement (Full Scale):
0 to 100% oxygen
5. Zero Offset:
≤ 100 uV in 100% N₂ applied for 5 minutes
6. 90% Response Time:
Less than or equal to 15 seconds.
7. Linearity:
≤ 2% @ 100% O₂ applied for 5 minutes
8. Stability:
< 1% volume O₂/month @ air

9. Repeatability:
±1% Volume O₂ at 100% O₂
applied for 5 minutes
10. Interference:
according
DIN EN ISO 21647 and
ISO 7767
11. Nominal Sensor Life:
>500,000% O₂ hours
12. Electrical Interface:
RJ11 Modular plug 4P4C

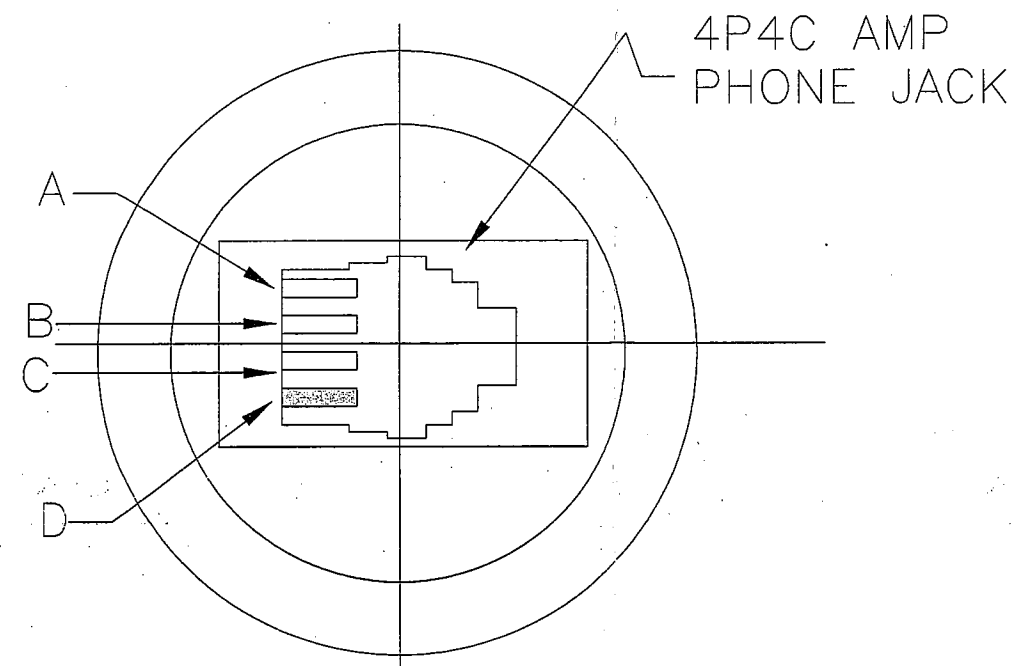
AUTHORIZED COPY
FEB 21 2007
EFFECTIVE DATE
VALID ONLY IF THIS STAMP IS RED

UNLESS OTHERWISE SPECIFIED DIMENSIONS ARE IN INCHES AND PER ANSI Y14.5-1982				maxtec® SALT LAKE CITY, UTAH 84107			
.XX = ±.01		ANGLES		SPECIFICATION, MAX-3 OXYGEN SENSOR			
.XXX = ±.005		±1'30"					
.XXXX = ±.002							
QA	ENG	PREP	12/12/06	SIZE	FSCM NO.	NUMBER	REV
<i>[Signature]</i>	<i>[Signature]</i>	D. LARSEN		B	1S815	R109P12	A
MFG	CHKR	ENG		SCALE	NONE	SHEET	1 OF 2
<i>[Signature]</i>	<i>[Signature]</i>	<i>[Signature]</i>					

A R109P12 A



Tolerance; ± 0.005 in.



- A = MINUS (-)
- B = SHORT CUT TO D
- C = PLUS (+)
- D = SHORT CUT TO B

AUTHORIZED COPY
FEB 21 2007
 EFFECTIVE DATE
 VALID ONLY IF THIS STAMP IS RED

SIZE B	FSCM NO. 1S815	NUMBER R109P12	REV A
SCALE .50 = 1.0		SHEET 2 OF 2	

PROPRIETARY INFORMATION
MAXTEC INC.

R109P12 A