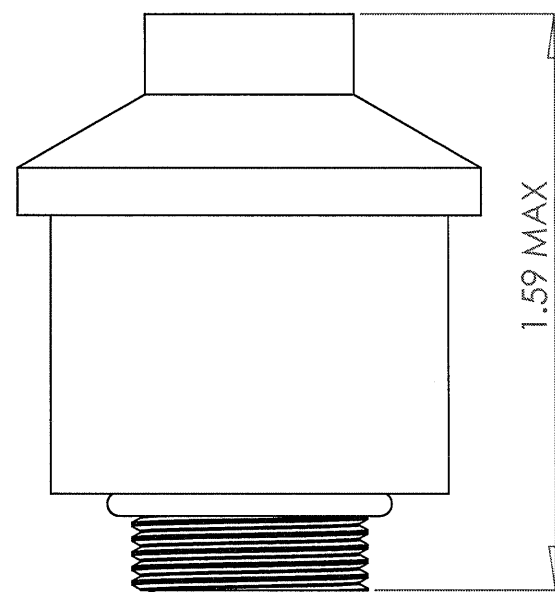
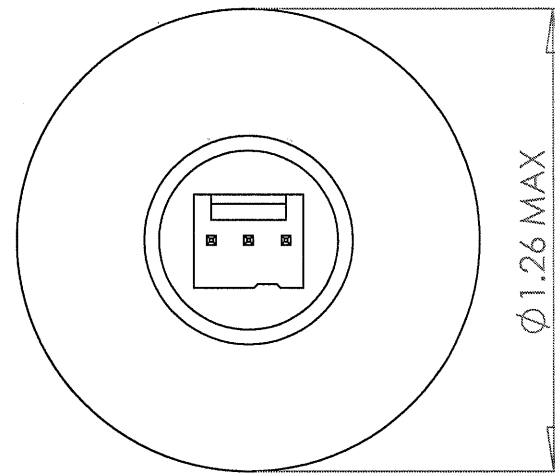
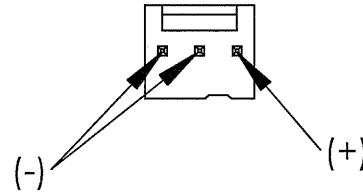


REV	DCO'S AFFECTING THIS DRAWING	DATE	APPROVED
A	INITIAL REL. DCO # 1079	8/4/98	D. LARSEN
D	DCO # 5587 UPDATED TABLE	4/18/16	D. LARSEN

ELECTRICAL INTERFACE



M16x1

SPECIFICATION	
RANGE OF MEASUREMENT:	0 TO 100%
OUTPUT RANGE:	12.5 TO 16.5 mV
ZERO OFFSET:	≤0.250 mV WHEN EXPOSED TO 100% NITROGEN
90% RESPONSE TIME:	≤12 SECONDS
LINEARITY:	≤3% FULL SCALE ERROR MAXIMUM
DRIFT:	≤1% VOLUME O2 PER MONTH IN AIR
EXPECTED LIFETIME:	>1,000,000 %O2 HOURS
TEMPERATURE COMPENSATION:	NTC
OPERATIONAL TEMPERATURE RANGE:	10° TO 40°C
STORAGE TEMPERATURE RANGE:	-20° TO 50°C
HUMIDITY RANGE:	0% TO 99% RH, NON-CONDENSING
AMBIENT PRESSURE RANGE:	700-1250mBAR
INTERFERENCE:	PER EN ISO 80601-2-55
INFLUENCE OF HUMIDITY:	-0.03%REL. O2 READING PER %RH
ELECTRICAL INTERFACE:	3 PIN MOLEX

ALL PRODUCT SPECIFICATIONS ARE APPLICABLE AT STANDARD CONDITIONS
25C AND 1013 mBAR

UNLESS OTHERWISE SPECIFIED
DIMENSIONS ARE IN INCHES
AND PER ANSI Y14.5-1982

XX = ±01
.XXX = ±005
.XXXX = ±002

ANGLES
±1°30'

ORIGINATOR
D. LARSEN

10/9/00

Q.A.
D. PLOWMAN

1/28/16

CHECKED
R. ERICKSON

5/25/15

MFG
E. MEADS

2/8/16

ENG
M. SWANK

1/26/16

mextec[®]
SALT LAKE CITY, UTAH

**SPECIFICATION
MAX-12 OXYGEN SENSOR**

SIZE	DWG. NO.	REV
B	R109P47	D

SCALE: 2:1

SHEET 1 OF 1