

REVISIONS		
REV.	DCO'S RELATED TO THIS DRAWING	DATE
A	DCO# 3025 - INITIAL RELEASE	9/19/08

1. Output:

3.8 to 4.8 mV in air at 1013 millibar pressure, 50% RH and a temperature range of 25° C

2. Operating Temperature:

0° to 45° C

3. Recommended Storage Conditions

Optimal Storage Temperature (Recommended): 5° to 30° C
 Maximum Storage Temperature: -0° to 50° C
 Storage Ambient Pressure: 750 to 1250 hPa
 Storage Humidity: Up to 100% RH
 Storage Shelf Life: 3 Months

5. Range of Measurement (Full Scale)

0-100% Vol.% Oxygen

6. Zero Offset:

Less than 50 µA when exposed to 100% Nitrogen for 5 min.

7. 90% Response Time

Less than or equal to 12 seconds at 25° C

8. Linearity:

Less than or equal to 2.0% at 100% Oxygen applied for 5 minutes

9. Pressure Range

750 to 1250 hPa

9. Stability (Drift)

Less than 1% of full scale over a month at air, constant temperature, pressure and humidity.

10. Interference:

According DIN EN 12598 and DIN EN ISO 21647

11. Temperature Compensation:

NTC

12. Sensor Life:

500,000 Vol.% Oxygen hours under normal operating conditions*

13. Humidity:

-0.03% rel. Oxygen reading per % Relative Humidity (RH)

14. Electrical Interface:

AMP Phone Jack 4P4C
 Pin Output: (A: NTC, B: Uout (+), C: NTC, D: Uout (-))

15. Material in Contact With Media:

PA, PPS, PTFE, Stainless Steel

16. Housing Color:

White

AUTHORIZED COPY
 SEP 19 2008
 EFFECTIVE DATE
 VALID ONLY IF THIS STAMP IS RED

UNLESS OTHERWISE SPECIFIED DIMENSIONS ARE IN INCHES AND PER ANSI Y14.5-1982		mextec [®] SALT LAKE CITY, UTAH 84107	
XX = ±.01 .XXX = ±.005 .XXXX = ±.002	ANGLES ±1°30"	Specification, MAX-48 Oxygen Sensor	
ORIGINATOR A. Buxedman 7/17/08		SIZE B	REV A
CHECKED D. McSepos 9/17/08		DWG. NO. R112P19	
MFG 17 Sept 2008		SCALE: 1:1	SHEET 1 OF 1
		1 PROPRIETARY INFORMATION MAXTEC INC.	

R112P19A

R112P19A

A

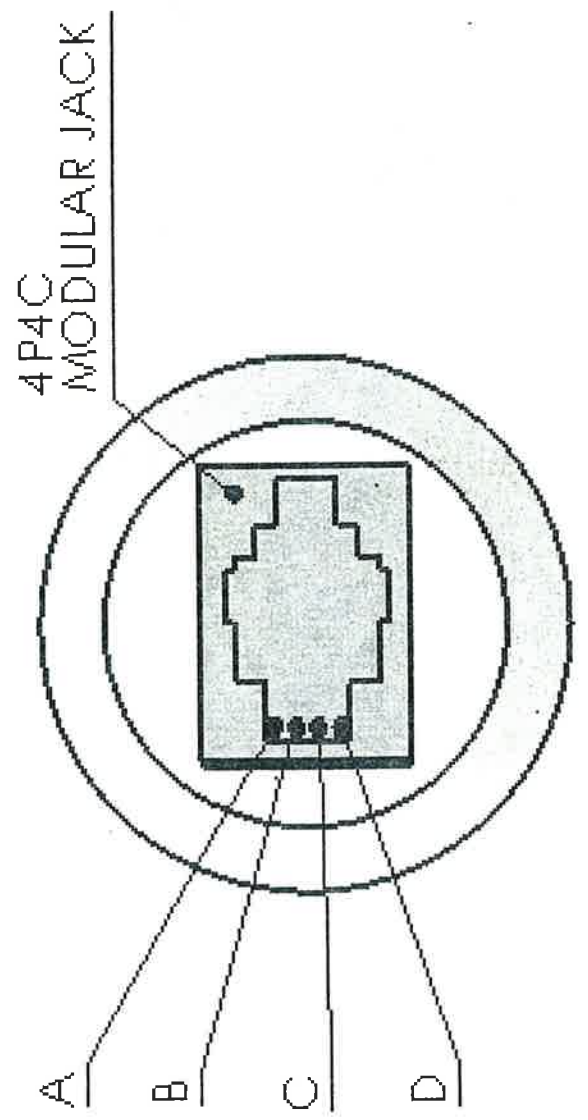
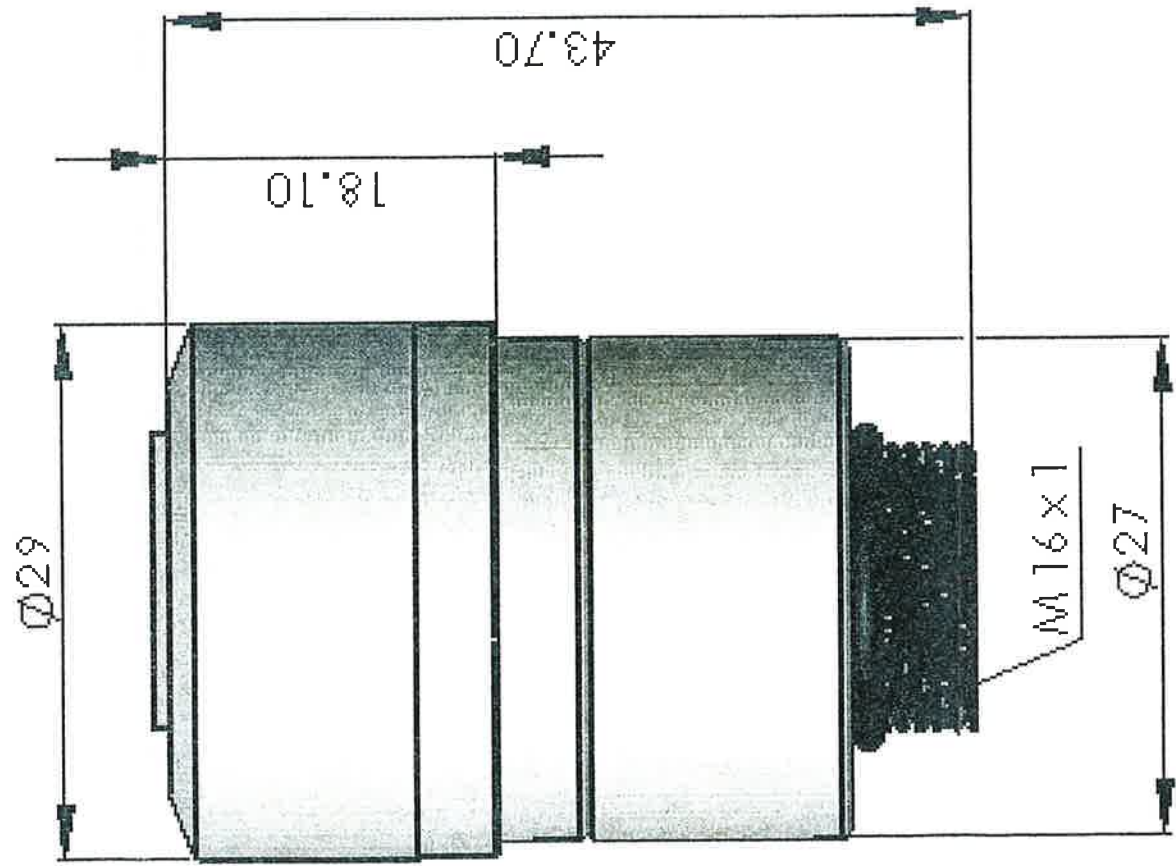
B

C

D

SIZE **B**
 DWG. NO. R112P19
 REV **A**
 SCALE: 1:1
 SHEET 2 OF 2
 PROPRIETARY INFORMATION
 1 MAXTEC INC.

AUTHORIZED COPY
 SEP 19 2008
 EFFECTIVE DATE
 VALID ONLY IF THIS STAMP IS RED



A

B

C

D

1

2

3

4

5

6

7

8