

8

7

6

5

4

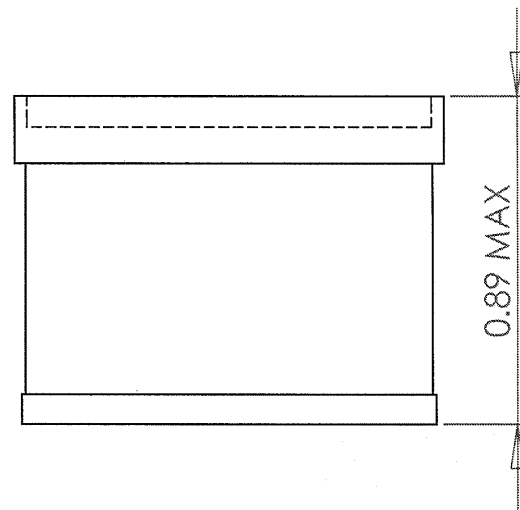
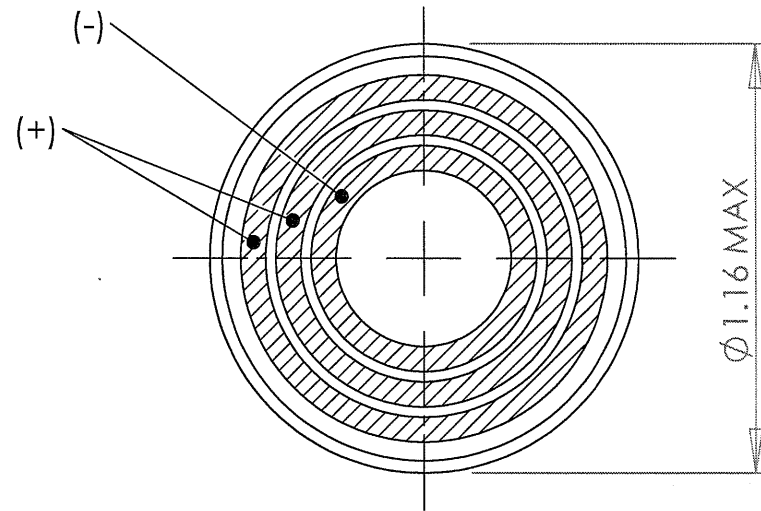
3

2

1

REV	DCO'S AFFECTING THIS DRAWING	DATE	APPROVED
A	INITIAL REL. DCO # 724	10/29/99	D.S.
E	DCO # 5587 UPDATED TABLE	4/18/16	D. LARSEN

ELECTRICAL INTERFACE
 INNER RING: NEGATIVE
 CENTER RING: POSITIVE
 OUTER RING: POSITIVE



SPECIFICATION	
RANGE OF MEASUREMENT:	0 TO 100%
OUTPUT RANGE:	14 TO 20 mV, WITH 600 OHM LOAD
ZERO OFFSET:	≤0.20 mV WHEN EXPOSED TO 100% NITROGEN
90% RESPONSE TIME:	≤12 SECONDS
LINEARITY:	≤3% FULL SCALE ERROR MAXIMUM
DRIFT:	≤1% VOLUME O2 PER MONTH IN AIR
EXPECTED LIFETIME:	>500,000 %O2 HOURS
TEMPERATURE COMPENSATION:	NONE
OPERATIONAL TEMPERATURE RANGE:	10° TO 40°C
STORAGE TEMPERATURE RANGE:	-20° TO 50°C
HUMIDITY RANGE:	0% TO 99% RH, NON-CONDENSING
AMBIENT PRESSURE RANGE:	700-1250mBAR
INTERFERENCE:	PER EN ISO 80601-2-55
INFLUENCE OF HUMIDITY:	-0.03%REL. O2 READING PER %RH
ELECTRICAL INTERFACE:	GOLD PLATED SLIP RING

ALL PRODUCT SPECIFICATIONS ARE APPLICABLE AT STANDARD CONDITIONS
 25C AND 1013 mBAR

UNLESS OTHERWISE SPECIFIED
 DIMENSIONS ARE IN INCHES
 AND PER ANSI Y14.5-1982

.XX = ±.01
 .XXX = ±.005
 .XXXX = ±.002

ANGLES
 ±1°30"

ORIGINATOR
 E. CUTLER

12/28/96

CHECKED
 R. ERICKSON

5/13/15

ENG
 M. SWANK

1/26/16

Q.A.
 D. PLOWMAN 1/28/16
 MFG
 E. MEADS 2/8/16

mextec[®]
 SALT LAKE CITY, UTAH

**SPECIFICATION
 MAX-11 OXYGEN SENSOR**

SIZE DWG. NO. REV
B R113P15 **E**

SCALE: 2:1 SHEET 1 OF 1

8

7

6

5

4

3

2

1