

ALL CHARACTERISTICS ARE BASED ON CONDITIONS AT 25°C, 50% RH AND 1013 hPa

1. Output:

200uA ± 60uA @ ambient air

2. Operation:

- 1. Temperature: -8 to 50° C
- 2. Ambient Pressure: 750 to 1250 hPa
- 3. Relative Humidity: Up to 100% Rh

3. Storage Temperature Range:

-0 to 45° C
5 to 25° Recommended

4. Range of Measurement (Full Scale):

100 to 210,000 ppm O₂

5. Response Times (in operation):

<180 s from 21 Vol. % down to 1000 ppm
<20 min from 21 Vol.% down to 250 ppm
<1 h from 250 ppm down to 100 ppm

6. Linearity Error:

± 3% of signal (above 1000 ppm)

7. Expected Operating Life:

2 years, depending on humidity and O₂ concentration.

8. Electrical Interface:

2x slip-rings on PCB

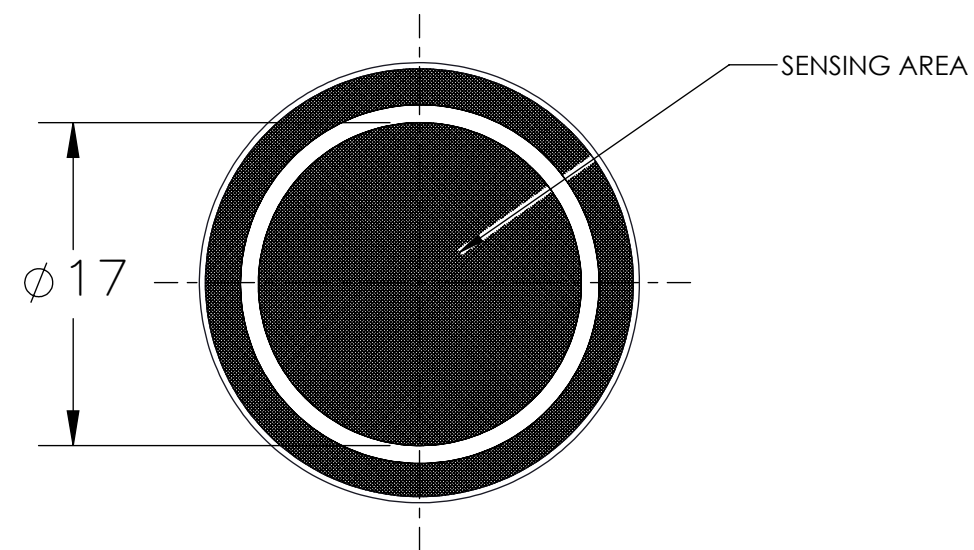
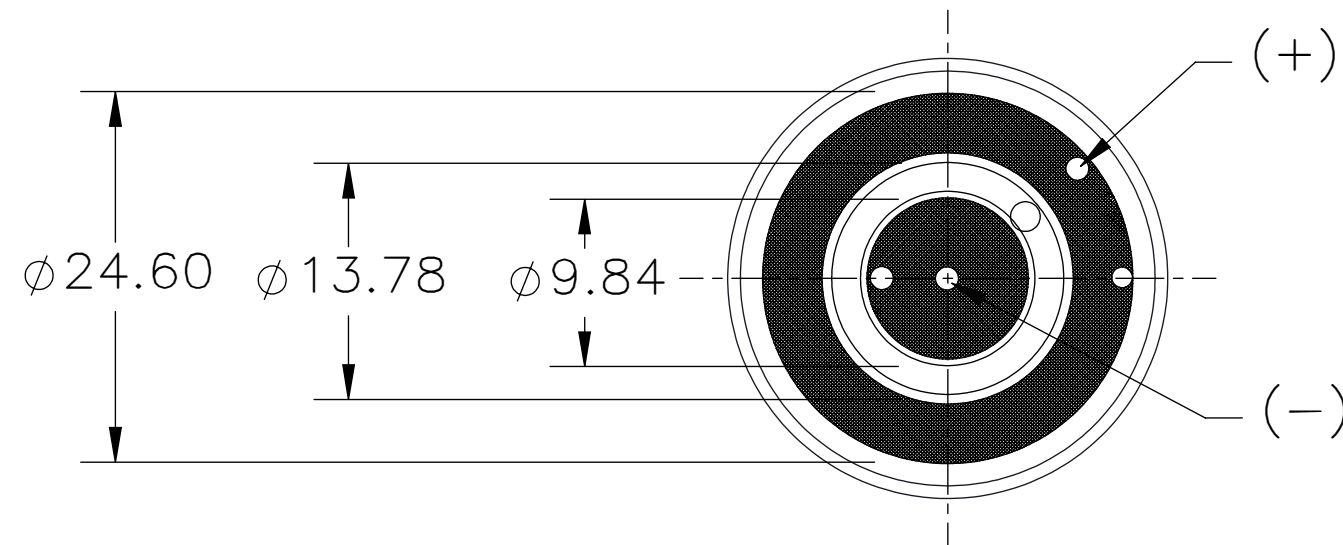
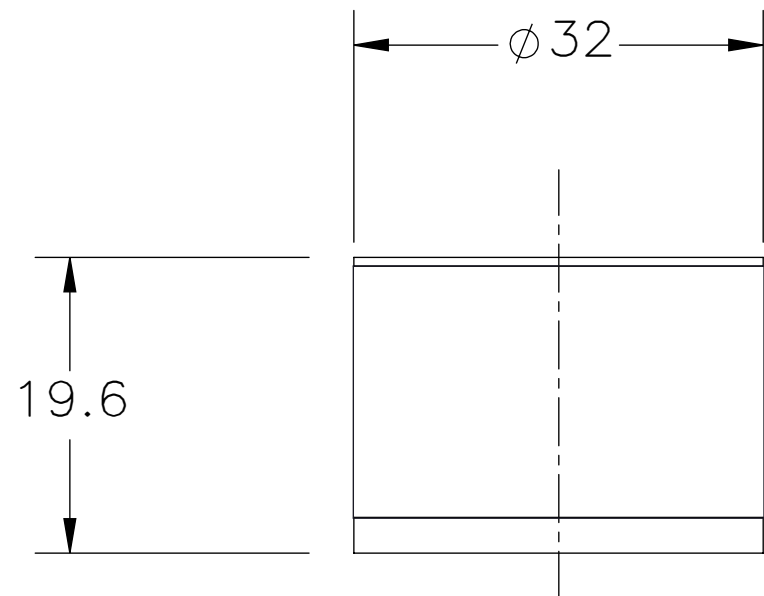
Released

TP-0001 REV 01

REVISION DETAIL UPDATED THE DRAWING FOR PRODUCT REINSTATEMENT.		mextec ® SALT LAKE CITY, UTAH		SPECIFICATION, MAX-31 OXYGEN SENSOR	
UNLESS OTHERWISE SPECIFIED DIMENSIONS ARE IN INCHES AND PER ASME Y14.5-2009 .XX = ± .01 ANGLES ± 0° 30' .XXX = ± .005 .XXXX = ± .002		SIZE B		DWG. NO. R113P14	
DRAWN BY: Z. HANSEN		DATE: 11/26/18		SCALE: 1:1 SHEET 1 OF 2	

PROPRIETARY INFORMATION OF MAXTEC

Released



NOTES UNLESS OTHERWISE SPECIFIED

1. DIMENSIONS ARE FOR AN UNLABELED SENSOR.

TP-0001 REV 01

SIZE	DWG. NO.	REV
B	R113P14	C
SCALE: 1:1		SHEET 2 OF 2

PROPRIETARY INFORMATION OF MAXTEC