

8

7

6

5

4

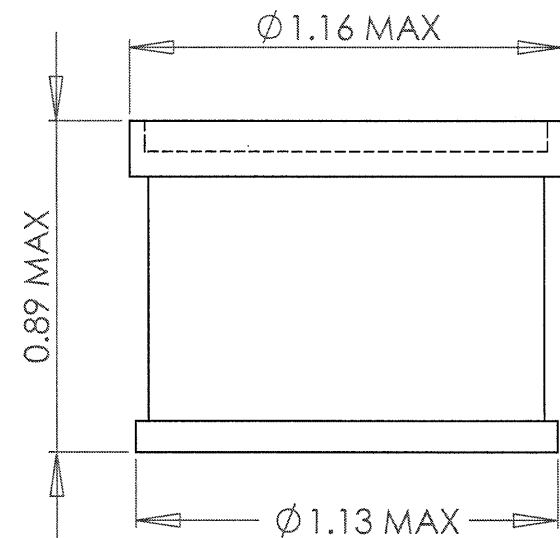
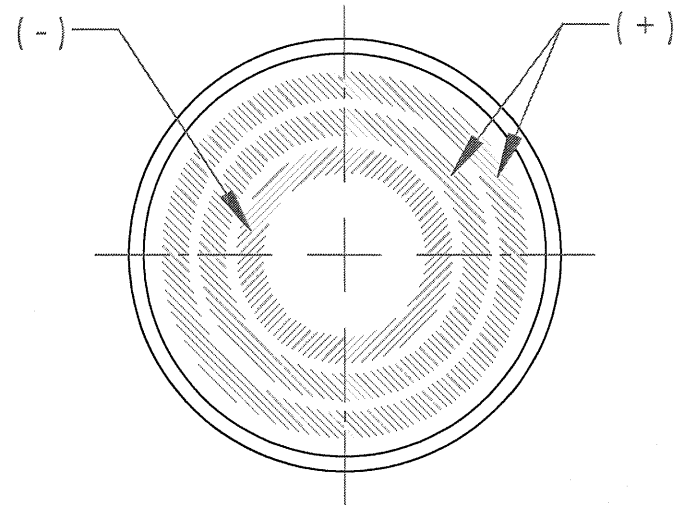
3

2

1

REV	DCO'S AFFECTING THIS DRAWING	DATE	APPROVED
A	INITIAL REL. DCO # 740	1/24/97	E. CUTLER
F	DCO # 5587 UPDATED TABLE	4/15/16	D. LARSEN

ELECTRICAL INTERFACE



SPECIFICATION	
RANGE OF MEASUREMENT:	0 TO 100%
OUTPUT RANGE:	14 TO 20 mV, WITH 300 OHM LOAD
ZERO OFFSET:	≤0.30 mV WHEN EXPOSED TO 100% NITROGEN
90% RESPONSE TIME:	≤17 SECONDS
LINEARITY:	≤3% FULL SCALE
DRIFT:	≤1% VOLUME O2 PER MONTH IN AIR
EXPECTED LIFETIME:	>500,000 %O2 HOURS
TEMPERATURE COMPENSATION:	NONE
OPERATIONAL TEMPERATURE RANGE:	10° TO 40°C
STORAGE TEMPERATURE RANGE:	-20° TO 50°C
HUMIDITY RANGE:	0% TO 99% RH, NON-CONDENSING
AMBIENT PRESSURE RANGE:	700-1250mBAR
INTERFERENCE:	PER EN ISO 80601-2-55
INFLUENCE OF HUMIDITY:	-0.03%REL. O2 READING PER %RH
ELECTRICAL INTERFACE:	GOLD PLATED SLIP RINGS

ALL PRODUCT SPECIFICATIONS ARE APPLICABLE AT STANDARD CONDITIONS
25C AND 1013 mBAR

UNLESS OTHERWISE SPECIFIED
DIMENSIONS ARE IN INCHES
AND PER ANSI Y14.5-1982

.XX = ±01
.XXX = ±005
.XXXX = ±002

ANGLES
±1°30"

ORIGINATOR
E. CUTLER

1-24-97

Q.A.
D. PLOWMAN

1/28/16

CHECKED
G. POELAKKER

3/13/98

MFG
E. MEADS

2/8/16

ENG
M. SWANK

1/26/15

mextec[®]
SALT LAKE CITY, UTAH

SPECIFICATION MAX-1 OXYGEN SENSOR

SIZE DWG. NO. REV
B R113P85 **F**

SCALE: 2:1 SHEET 1 OF 1

8

7

6

5

4

3

2

1