

REVISIONS			
REV.	DCO'S RELATED TO THIS DRAWING	DATE	APPROVED
A	INITIAL REL.# 2998	06/00/00 9/16/08	<i>[Signature]</i>

- 1. Output:
9.5 to 16 mV in air at 1013 millibar pressure, 50% RH and a temperature range of 25° C
- 2. Operating Temperature:
5° to 55° C
- 3. Recommended Storage Conditions
Optimal Storage Temperature (Recommended): 5° to 30° C
Maximum Storage Temperature: -20° to 60° C
Storage Ambient Pressure: 750 to 1250 hPa
Storage Humidity: Up to 100% RH
Storage Shelf Life: 6 Months
- 5. Range of Measurement (Full Scale)
0-100% Oxygen
- 6. Zero Offset:
Less than or equal to 200 μV when exposed to 100% nitrogen for 5 min.
- 7. 90% Response Time
Less than or equal to 12 seconds at 25° C
- 8. Linearity:
Within ± 2.0% of full scale when calibrated in 100% Oxygen
- 9. Pressure Range:
750 to 1250 hPa
- 10. Recommended Load Resistor ≥ 10 kOhm

- 11. Stability (Drift)
Less than 1% of full scale over a month at air, constant temperature, pressure and humidity.
- 12. Interference:
According DIN EN 12598 and DIN EN ISO 21647
- 13. Temperature Compensation:
NTC
- 14. Sensor Life:
1,500,000 Vol.% Oxygen hours under normal operating conditions*
- 15. Humidity:
-0.03% rel. Oxygen reading per % Relative Humidity (RH)
- 16. Electrical Interface:
3-Pin Molex
- 17. Material in Contact With Media:
PA, PPS, PTFE, Stainless Steel
- 18. Housing Color:
Translucent

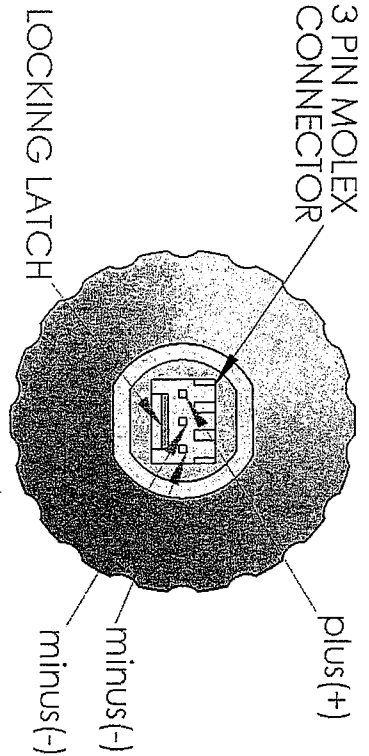
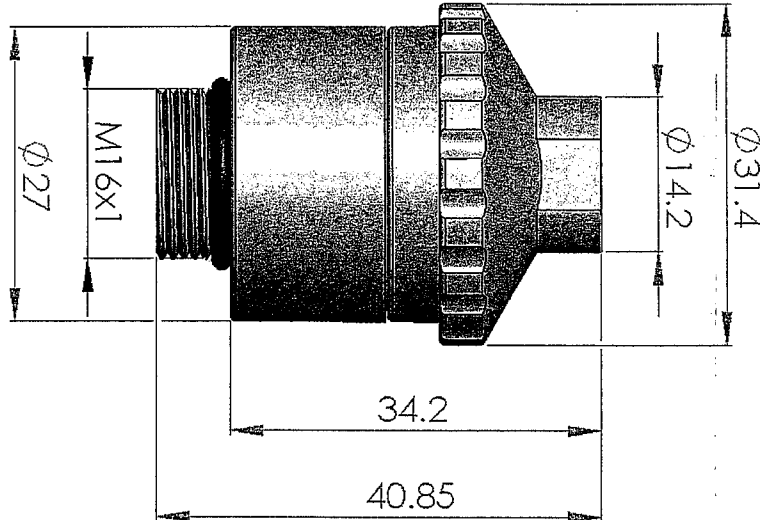
AUTHORIZED COPY
SEP 9 2008
EFFECTIVE DATE
VALID ONLY IF THIS STAMP IS RED

UNLESS OTHERWISE SPECIFIED DIMENSIONS ARE IN INCHES AND PER ANSI Y 14.5-1992		maxtec® SALT LAKE CITY, UTAH 84107	
XX = ±.01 XXX = ±.005 XXXX = ±.002	ANGLES ±1°30'	Specification, MAX-16HT Oxygen Sensor	
ORIGINATOR A. Boardman	18 Jul 08	SIZE B	DWG. NO. R114P74
CHECKED <i>[Signature]</i> 8/26/08	9/11/08	REV A	
ENGR <i>[Signature]</i> 5/22/2008	5/22/08	SCALE: 1:1	SHEET 1 OF 2



R114P74A

8 7 6 5 4 3 2 1



AUTHORIZED COPY
~~SEP 9 2008~~
 EFFECTIVE DATE
 VALID ONLY IF THIS STAMP IS RED

SIZE	DWG. NO.	REV
B	R114P74	A
SCALE: 1:1		SHEET 2 OF 2
1 PROPRIETARY INFORMATION MAXTEC INC.		

8 7 6 5 4 3 2 1

R114P74A