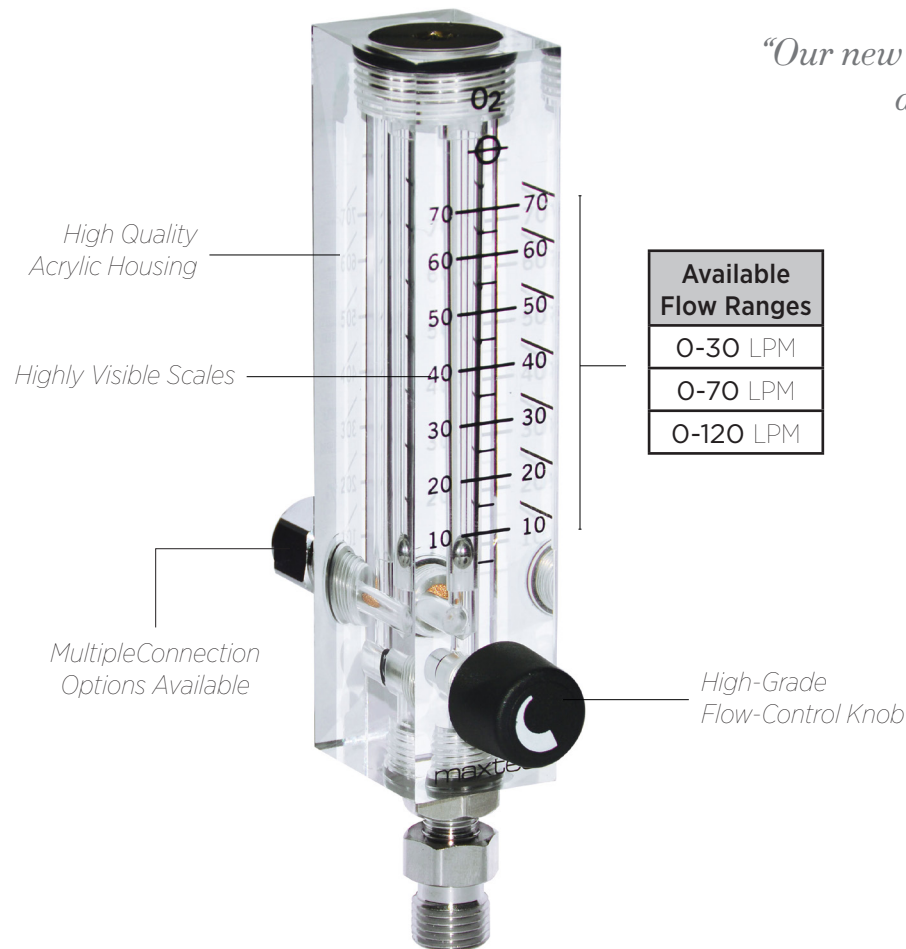


# Maxtec Acrylic Flow Meters



*“Our new acrylic flowmeters are of the highest quality”*

#### Available Flow Ranges

0-30 LPM

0-70 LPM

0-120 LPM

*Works great with our Muffled 2-in-1 Adapter!*



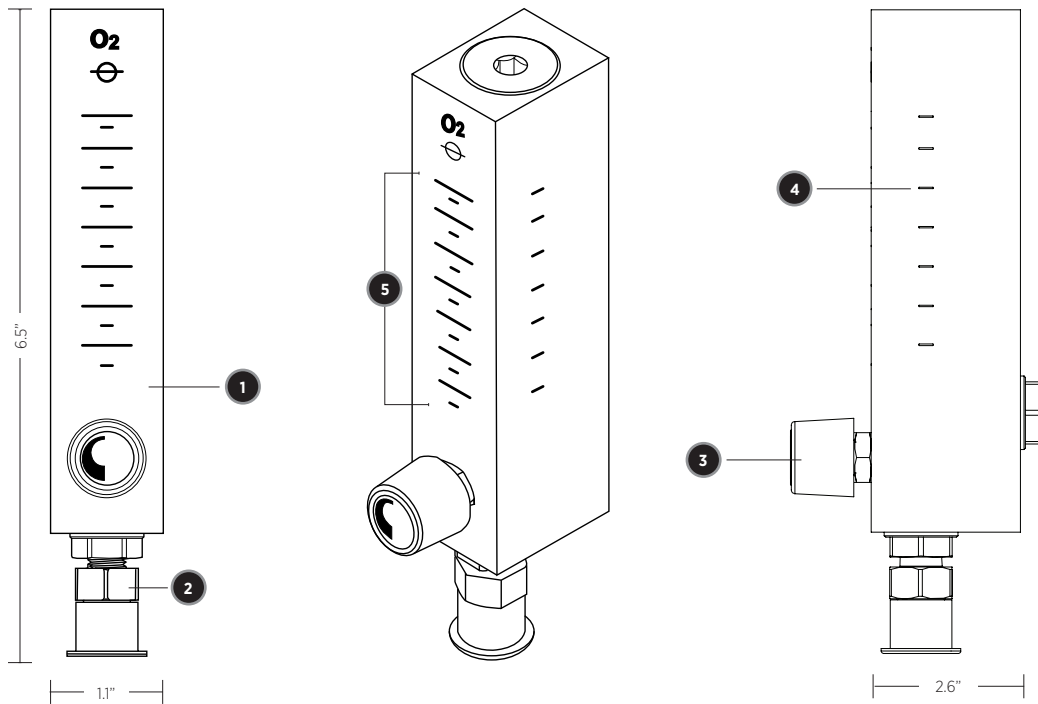
## ► Durable, Accurate flow meter solutions

**Maxtec's new line of acrylic flow meters provides a durable, accurate and dependable solution to delivering precise amounts of flow.** Every flow meter features a durable acrylic block housing, a highly accurate needle valve and is covered by a 5 year warranty. Each flow range is also available with quick connect fittings and also an option for ISO colors (white).

#### Part Numbers

0-30 LPM (DISS) .....	R219P88-001
0-30 LPM (NIST) .....	R219P88-002
0-70 LPM (DISS).....	R219P87-001
0-70 LPM (NIST).....	R219P87-002
0-120 LPM (DISS) .....	R219P86-001
0-120 LPM (NIST) .....	R219P86-002

*See reverse for additional options*



**1. Acrylic Housing**

*High quality and durable*

**2. Multiple Fitting Options**

*DISS or NIST options available*

**3. Easy Flow Adjustment**

*High quality flow control knob*

**4. Side view**

*Increased visibility*

**5. Multiple Flow Range Scales**

*From 200cc to 120 LPM flow ranges*

FLOW RANGE	GRADUATIONS	ACCURACY
0-30 LPM	1 (0-30) LPM	2-4: ± .50 l/min, 5-30: ± 10% of indicated value
0-70 LPM	5 (0-70) LPM	± 10% of indicated value
0-120 LPM	10 (0-120) LPM	± 10% of indicated value

**Additional 0-30 LPM Options:**

- w/Ohmeda Quick Connects . . . . R219P88-003
- w/Chemtron Quick Connects . . . R219P88-004
- w/Puritan Quick Connects . . . . R219P88-005
- w/Handtight DISS Fittings . . . . R219P88-006
- w/Schrader Quick Connects . . . . R219P88-007
- DISS w/white band . . . . . R219P88-101
- NIST w/white band . . . . . R219P88-102
- Ohmeda QC w/white band . . . . . R219P88-103
- Chemtron QC w/white band . . . . R219P88-104
- Puritan QC w/white band . . . . . R219P88-105
- DISS Handtight w/white band . . . R219P88-106
- Schrader QC w/white band . . . . . R219P88-107

**Additional 0-70 LPM Options:**

- w/Ohmeda Quick Connects . . . . R219P87-003
- w/Chemtron Quick Connects . . . R219P87-004
- w/Puritan Quick Connects . . . . R219P87-005
- w/Handtight DISS Fittings . . . . R219P87-006
- w/Schrader Quick Connects . . . . R219P87-007
- DISS w/white band . . . . . R219P87-101
- NIST w/white band . . . . . R219P87-102
- Ohmeda QC w/white band . . . . . R219P87-103
- Chemtron QC w/white band . . . . R219P87-104
- Puritan QC w/white band . . . . . R219P87-105
- DISS Handtight w/white band . . . R219P87-106
- Schrader QC w/white band . . . . . R219P87-107

**Additional 0-120 LPM Options:**

- w/Ohmeda Quick Connects . . . . R219P86-003
- w/Chemtron Quick Connects . . . R219P86-004
- w/Puritan Quick Connects . . . . R219P86-005
- w/Handtight DISS Fittings . . . . R219P86-006
- w/Schrader Quick Connects . . . . R219P86-007
- DISS w/white band . . . . . R219P86-101
- NIST w/white band . . . . . R219P86-102
- Ohmeda QC w/white band . . . . . R219P86-103
- Chemtron QC w/white band . . . . R219P86-104
- Puritan QC w/white band . . . . . R219P86-105
- DISS Handtight w/white band . . . R219P86-106
- Schrader QC w/white band . . . . . R219P86-107